



ENGINEERING LIMITED

## Manufacturers and Suppliers of Specialist Equipment

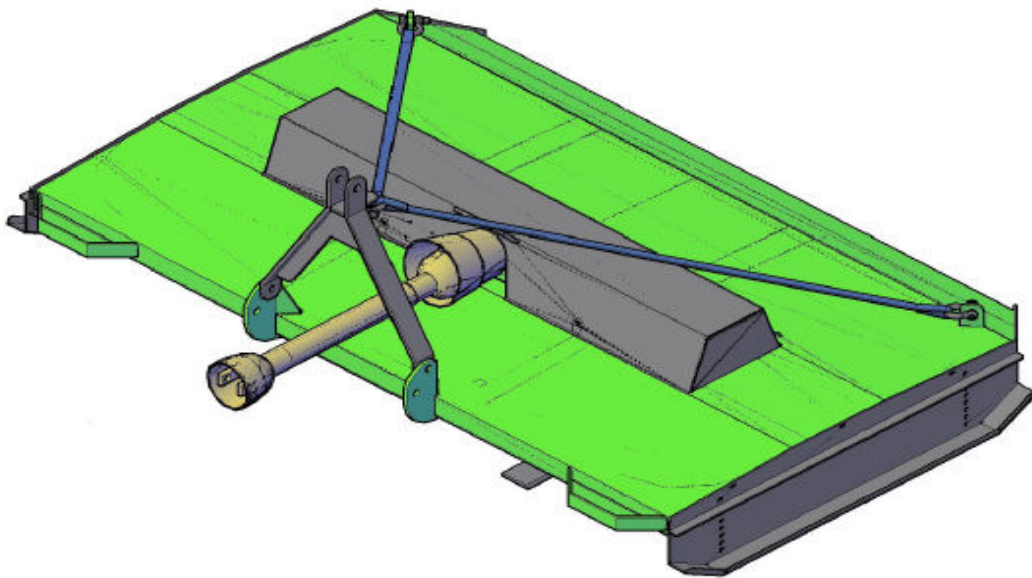
Ballymacken, Portlaoise,  
Co. Laois, Ireland

Tel: +353 (0) 57 8660379

Fax: +353 (0) 57 8660597

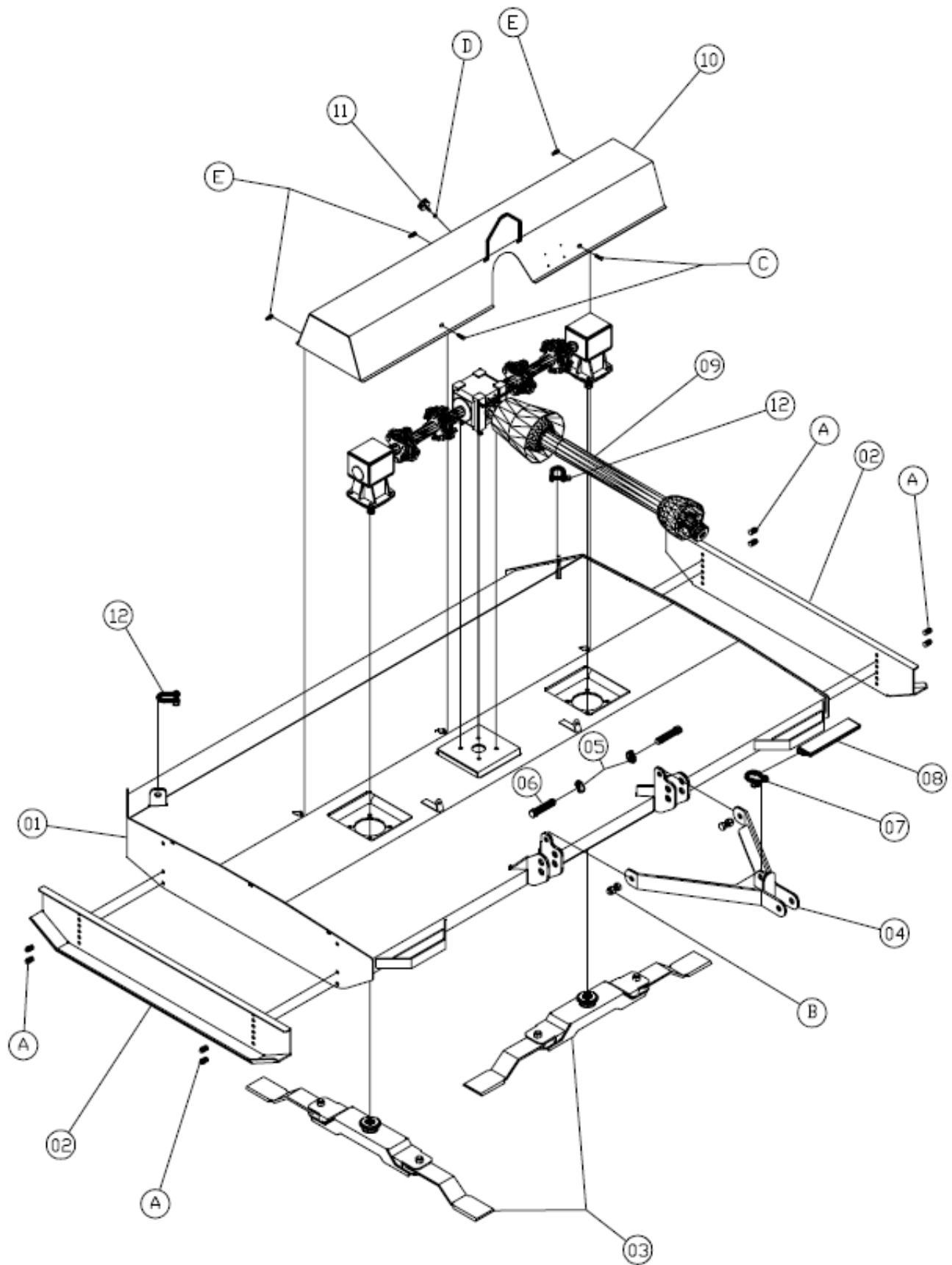
Email: [info@lsmltd.com](mailto:info@lsmltd.com)

Web: [www.lsmltd.com](http://www.lsmltd.com)



## M9 In-Line Topper

## Parts and Price List £



M9 IN-LINE PART LIST					
ITEM No.	PART No.	QUANTITY	PART DESCRIPTION	UNIT WEIGHT	CURRENT SELLING PRICE £
01	M9IL-BD-00-000	1	BODY	194	1209.00
02	LSM6402	2	ADJUSTABLE SKID	19	132.00
03	M9IL-BC-00-000	2	BLADE CARRIER ASSEMBLY (SEE BELOW)	17	268.00
04	LSM6200	1	A-FRAME	15	212.00
05	LSM6250	2	LYNCH PIN	0.1	1.50
06	LSM6251	2	CAT II LOWER LINK	2	6.00
07	LSM6351	1	BOW 16 SHACKLE	0.2	4.00
08	LSM6302	2	SLING	2	20.20
09	M9IL-DR-00-000	1	DRIVE ASSEMBLY (SEE BELOW)		
10	M9IL-GU-03-000	1	MAIN GUARD	21	172.00
11	LSM6256	1	M10 RUBBER STOP	0.1	11.25
12	LSM6350	2	D16 SHACKLE	0.2	4.00

FIXINGS						
	ITEM No.	PART No.	QUANTITY	PART DESCRIPTION	UNIT WEIGHT	CURRENT SELLING PRICE £
	A	61201	8	M12x30 BOLT	0.02	1.20
		61222	8	M12 LOCK NUT	0.02	0.40
		61224	8	M12 WASHER	0.02	0.40
	B	62005	2	M20x50 BOLT	0.02	5.40
		62022	2	M20 LOCK NUT	0.02	2.80
	C	61001	2	M10x30 BOLT	0.02	1.00
		61024	2	M10 WASHER	0.02	0.40
	D	61022	1	M10 LOCK NUT	0.02	0.40
	E	60801	3	M8x30 BOLT	0.02	0.60
		60824	3	M8 WASHER	0.02	0.20
		60822	3	M8 LOCK NUT	0.02	0.20

**Delivery charge:** On orders up to 30KG the price is €18.00 within the Island of Ireland, £25.00 to the UK per 30KG and for deliveries to the rest of Europe etc, please request quote.

**Terms:** Payment on Dispatch



<b>M9 IN-LINE BLADE CARRIER ASSEMBLY</b>					
<b>ITEM No.</b>	<b>PART No.</b>	<b>QUANTITY</b>	<b>PART DESCRIPTION</b>	<b>UNIT WEIGHT</b>	<b>CURRENT SELLING PRICE £</b>
3a	LSM6102	2	BLADE CARRIER	10	176.00
3c	LSM6104	4	TOP BUSH	0.25	12.50
3d	LSM6100	4	BLADE	3.25	45.00

<b>M9 IN-LINE DRIVE ASSEMBLY</b>					
<b>ITEM No.</b>	<b>PART No.</b>	<b>QUANTITY</b>	<b>PART DESCRIPTION</b>	<b>UNIT WEIGHT</b>	<b>CURRENT SELLING PRICE £</b>
9a	LSM6152	1	T40 1100lg c/w SLIP CLUTCH	7	402.00
9b	LSM6156	1	CONE 1 EXTENSION	1	18.00
9c	LSM6154	1	CONE 1	1	18.20
9d	LSM6002	1	PRIMARY T-GEAR BOX	15	540.00
9e	LSM6055	2	SHEAR SHAFT	0.7	40.00
9f	LSM6050	4	RUBBER COUPLER	0.5	66.00
9g	LSM6056	2	END SHAFT	0.7	38.00
9h	LSM6005	2	RIGHT ANGLE GEAR BOX TYPE 1	15	280.00
9i	LSM6054	2	MIDDLE SHAFT	1.4	76.00

<b>FIXINGS</b>					
<b>ITEM No.</b>	<b>PART No.</b>	<b>QUANTITY</b>	<b>PART DESCRIPTION</b>	<b>UNIT WEIGHT</b>	<b>CURRENT SELLING PRICE £</b>
F	62010	4	M20x75 BOLT	0.02	5.80
	62022	4	M20 LOCK NUT	0.02	2.80
G	61201	4	M12x30 BOLT	0.02	1.20
	61222	4	M12 LOCK NUT	0.02	0.40
	61224	4	M12 WASHER	0.02	0.40
H	61225	24	M12x80 BOLT (Grade 10.9)	0.02	5.30
	61222	24	M12 LOCK NUT	0.02	0.40
I	61606	8	M16x50 BOLT	0.02	4.20
	61622	8	M16 LOCK NUT	0.02	1.20

**Delivery Charge:** On orders up to 30KG the price is €18.00 within the Island of Ireland, £25.00 to the UK per 30KG and for deliveries to the rest of Europe etc, please request quote.

**Terms:** Payment on Dispatch