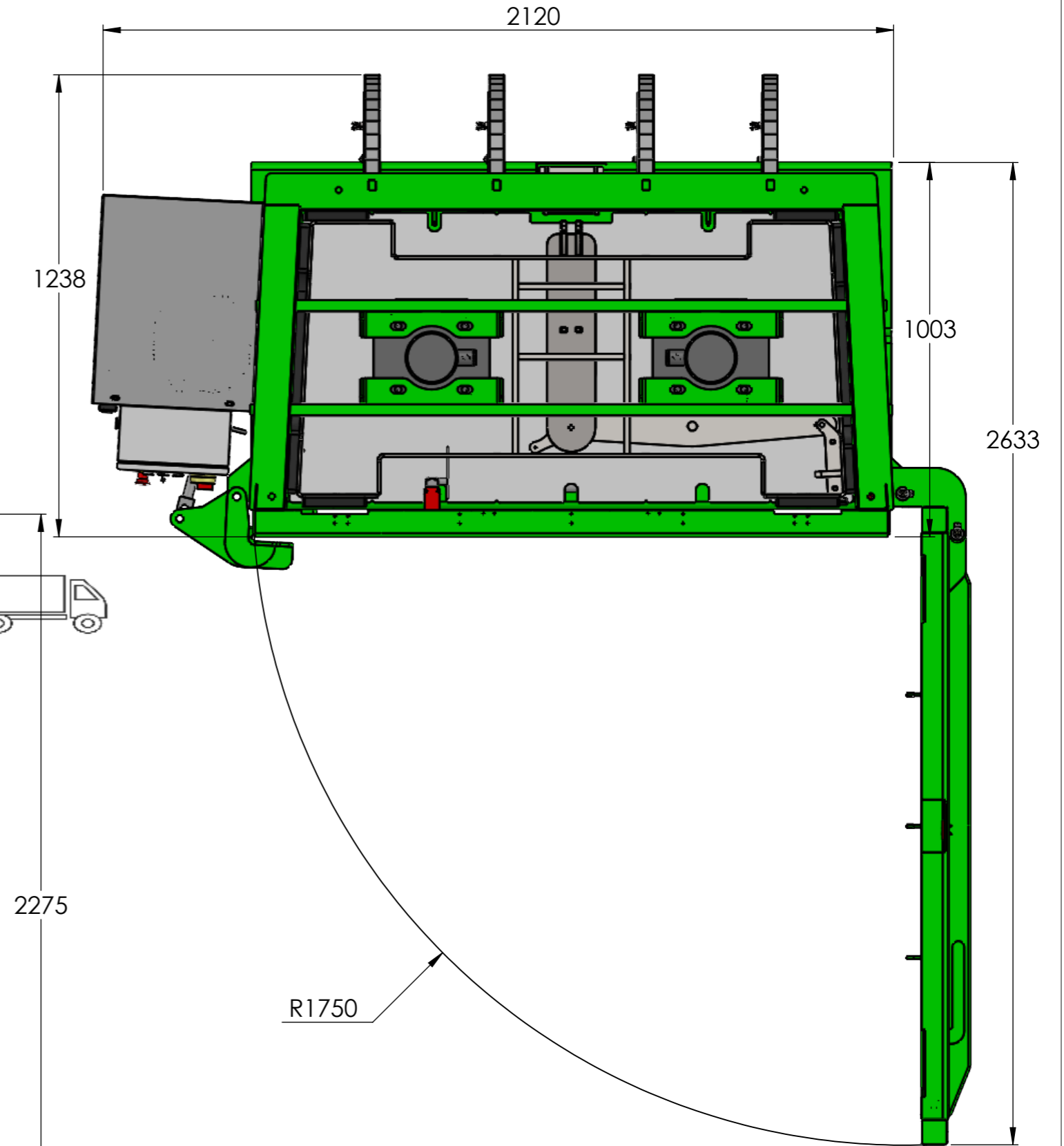
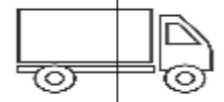
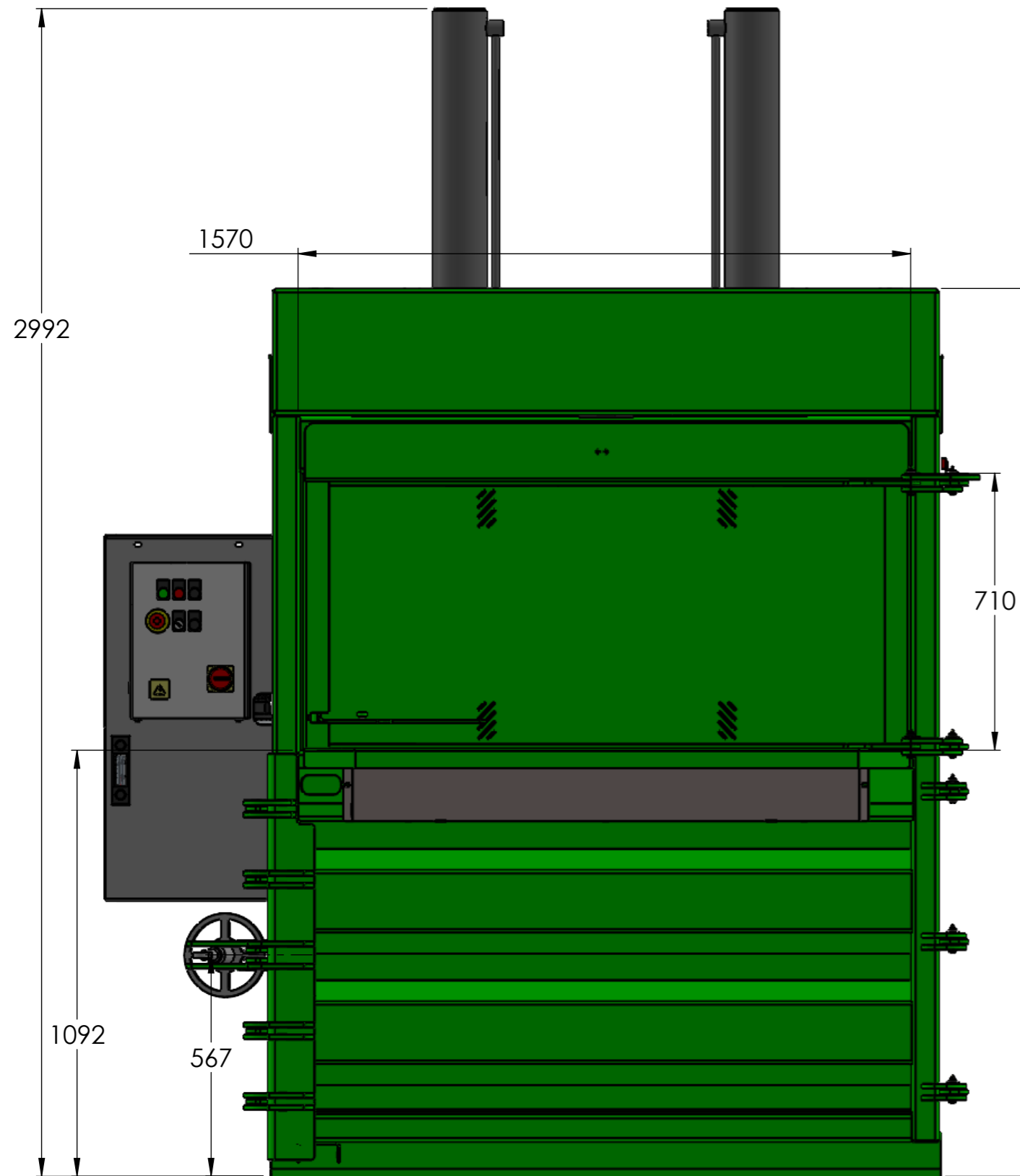



THIRD ANGLE PROJECTION



 WWW.LSMLTD.COM	
MODEL CODE	V50W
MACHINE WEIGHT	2220 KG
NOISE LEVEL	74 dB